

DP-80

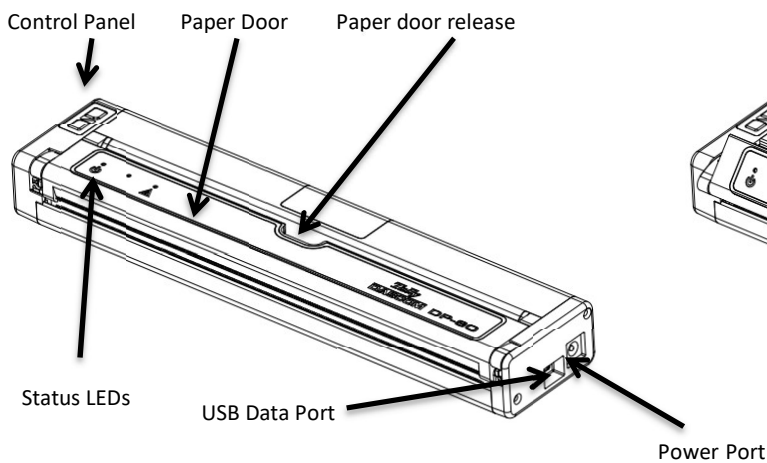
Tally
DASCOM

Quick Start Guide

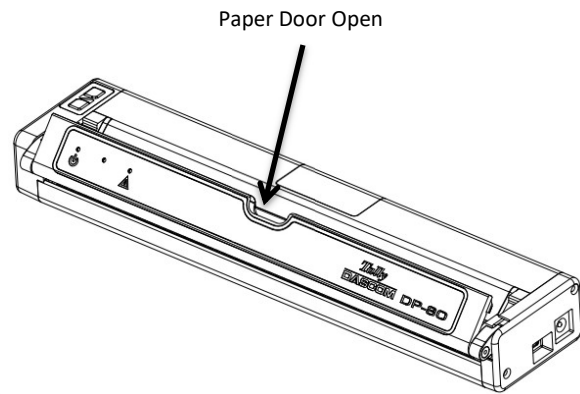
This guide provides information on the daily use of the DP-80 printer.
For additional information, please refer to the DP-80 User Guide.

Before you begin, please visit www.dascom.com Printing Solutions, Download Center to download the according printer driver.

Printer features



Media (A4/8.5")



WARNING: DISABLE VEHICLE POWER WHEN INSERTING OR REMOVING POWER CONNECTOR

Printer can accept roll paper, fanfold or single sheet paper.

LOADING PAPER:

Roll Paper –

- Open the paper door by inserting your finger into the cutout in the paper door and gently pulling the door toward the front of the printer.
- Insert the leading edge of the paper roll into the printer with the coated side down.
- Close the paper door and push the paper feed button to ensure the paper is under the roller and able to advance.

Black Mark Paper –

- Open the paper door by inserting your finger into the cutout in the paper door and gently pulling the door toward the front of the printer.
- Insert the leading edge of the paper roll into the printer with the black mark facing up.
- Close the paper door and push the paper feed button to ensure the paper is under the roller and able to advance. If the printer is properly configured for Black Mark paper the paper should advance until the black mark is detected by the printer.

Single Sheet Paper -

- Insert the single sheet of paper with the coated side down into the top of the printer.
- The printer will grab the single sheet and place it into the printer ready to print.
- If the printer has received a print job, the printer will begin to print as soon as the paper is detected.





Self-Test / Configuration print out



With power on, press the Paper Feed button twice quickly.

DP-80 Quick Start Guide

Control Panel indicators

Control Panel			
 Power Button	Power Up Power Down Toggle IP over USB on/off	Press & Release Press & Hold Press twice	
 Paper Feed Button	Advance paper Print Setup Report	Press once (LF) or long (FF) Press twice	
Power & Status (Green/Red) 	(Yellow)	Alert (Red) 	Indication
On	Off	On	Booting up(··· 20 sec!)
On	Off	Off	Ready
On	Off	Flashing	Paper Error/Lid Open
Flashing	Off	Off	Job is arriving
Flashing	Off	Off	Job is printing
Flashing	Off	Flashing	IP over USB active
Flashing	Flashing	Flashing	Restart the printer manually
Off	Off	Flashing	Restore the printer firmware
Off	Off	On	Print head too hot

Accessing the Configuration Menus through USB

1. Turn the printer ON.
2. Connect a USB cable between the printer and a PC.
3. To access the DP-581 web page, push the Power button twice rapidly. This will put the printer into Configuration mode.
4. When the printer is in Configuration mode the POWER and FAULT LEDs will flash together.
 - A. Open browser on your PC and type 169.254.200.1 into the address bar of the browser and hit Enter - A login box should appear:
 - B. Type "0000" and hit Enter- you should now be at the home page for DP-581 Configuration.
5. Push the Power button twice rapidly to exit Configuration Mode.



Some country specific Windows Operating Systems does not have activated or installed the RNDIS driver to use the IP-over-USB mode. Therefore, please refer to our Dascom Internet pages!



Once the printer is connected via USB and in *IP over USB* mode it is temporarily not possible to access the Internet.

Dascom Representatives

Americas	Dascom Americas Corp	34 Lakeview Court	Verona, VA 24482, USA	Phone: +1 (877) 434 1377
UK	DASCOM GB Ltd	Hart House, Priestley Road	Basingstoke, Hampshire, RG24 9PU	Phone: +44 (0) 1256 481481
Germany	DASCOM Europe GmbH	Heuweg 3	D-89079 Ulm	Phone: +49 (0) 731 2075 0
France	DASCOM Europe GmbH	117 Avenue Victor Hugo	92100 Boulogne-Billancourt	Phone: +33 (1)73 02 51 98
Singapore (AP)	DASCOM AP Pte Ltd	2 Jurong East Street 21	#05-42, IMM Building, Singapore 609601	Phone: +65 6760 8833

21.511.919.0122R-EN